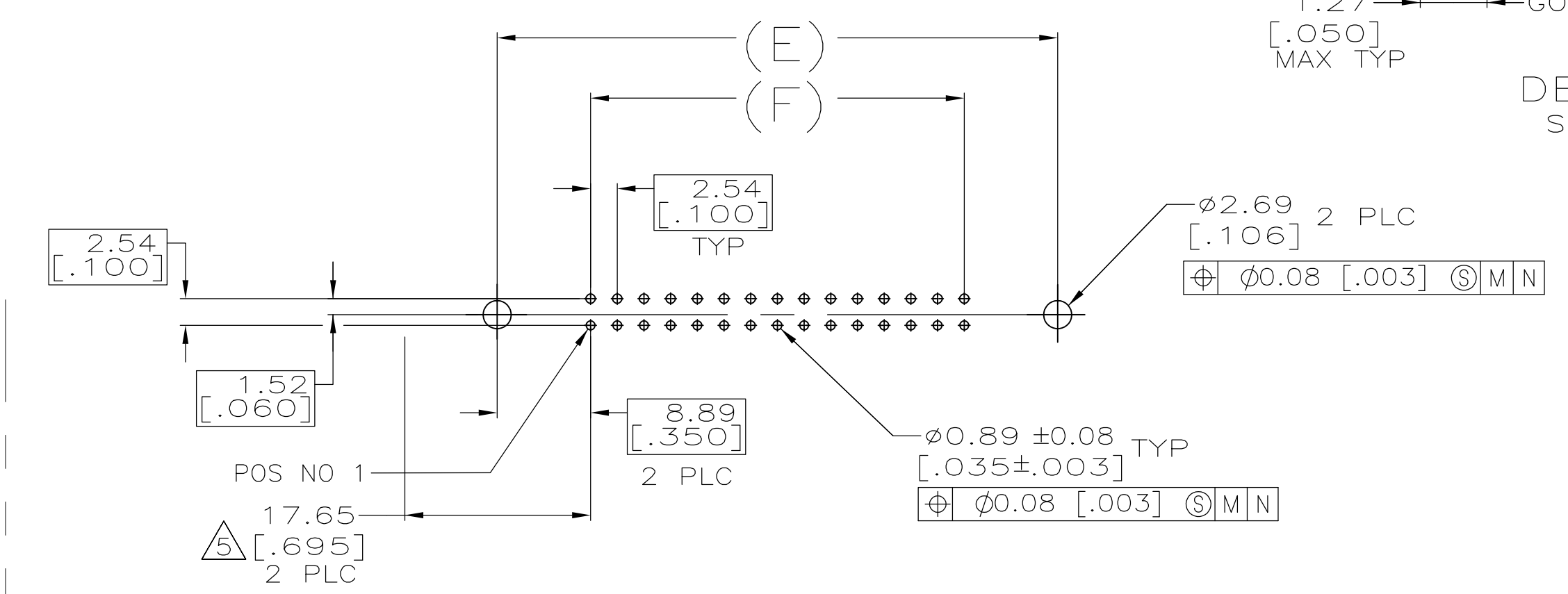
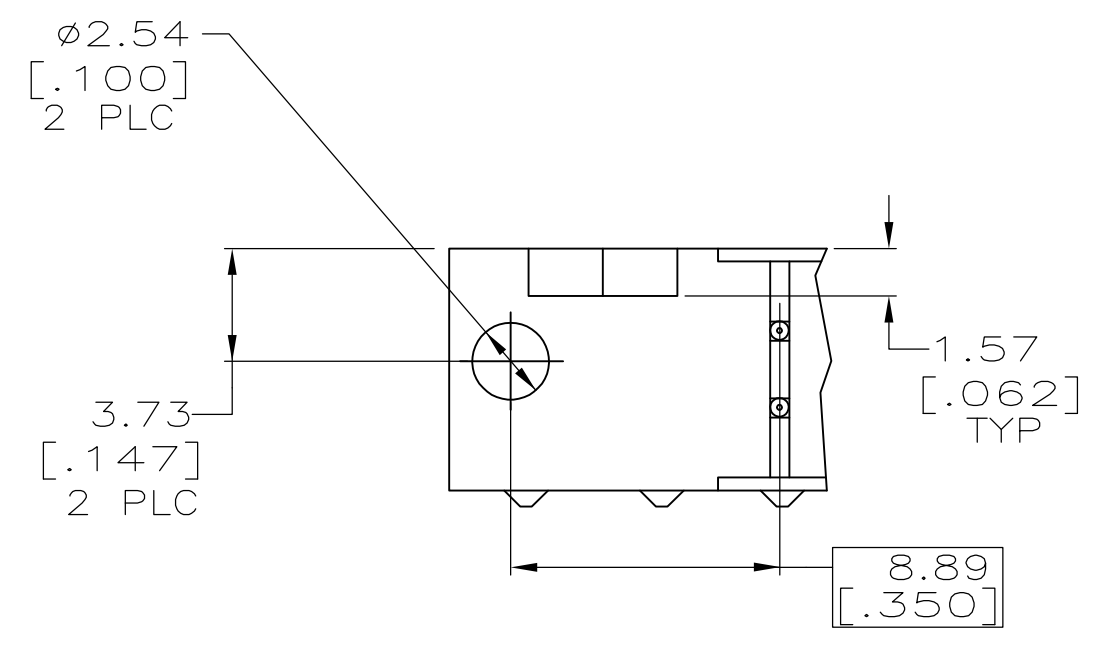
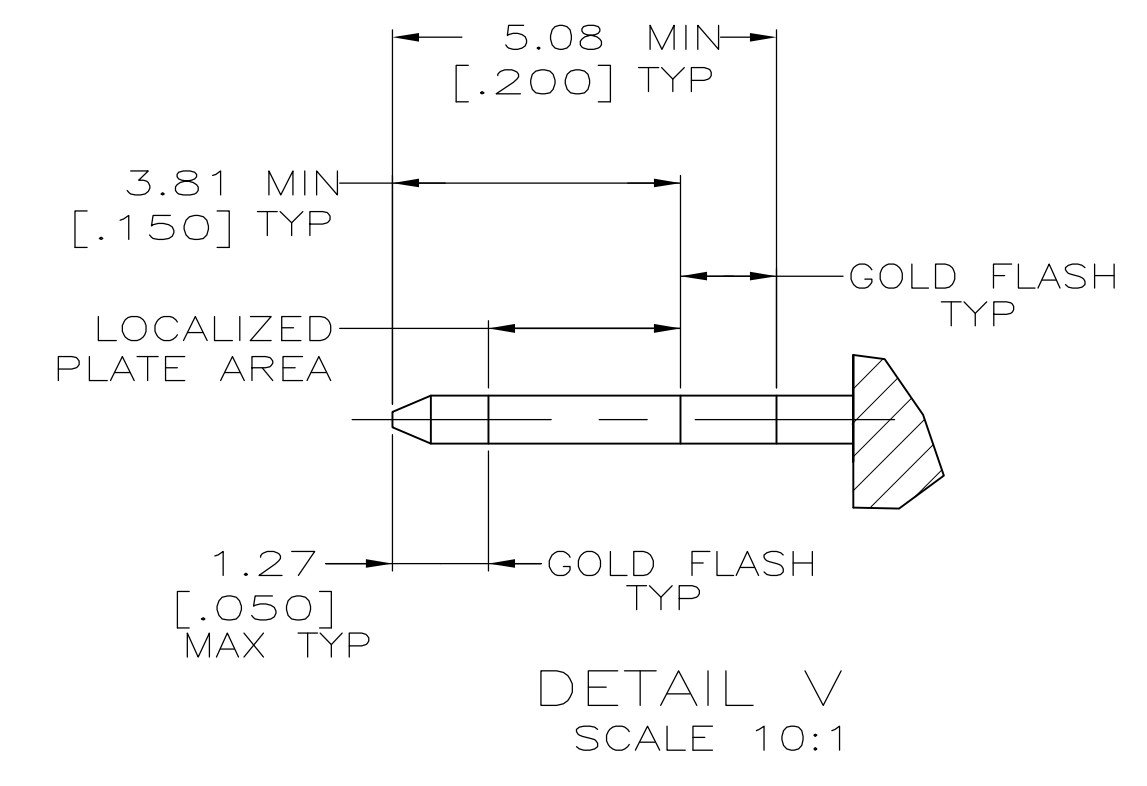
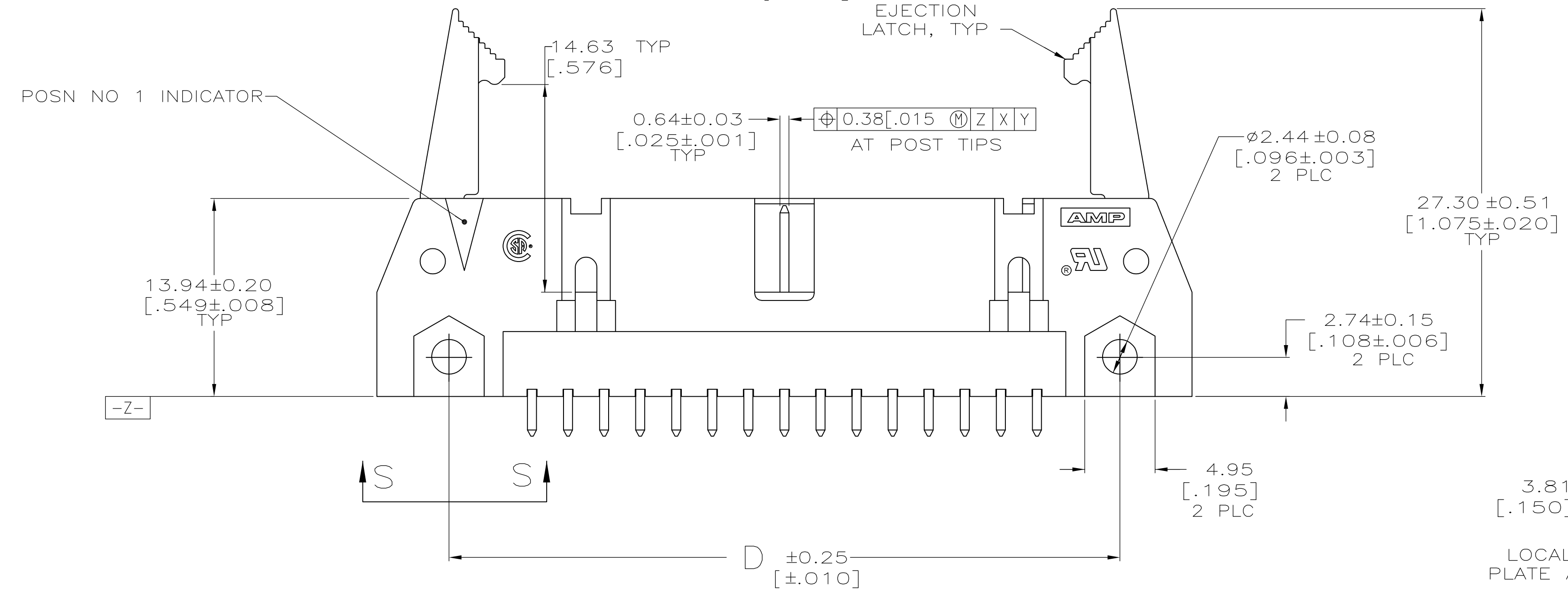
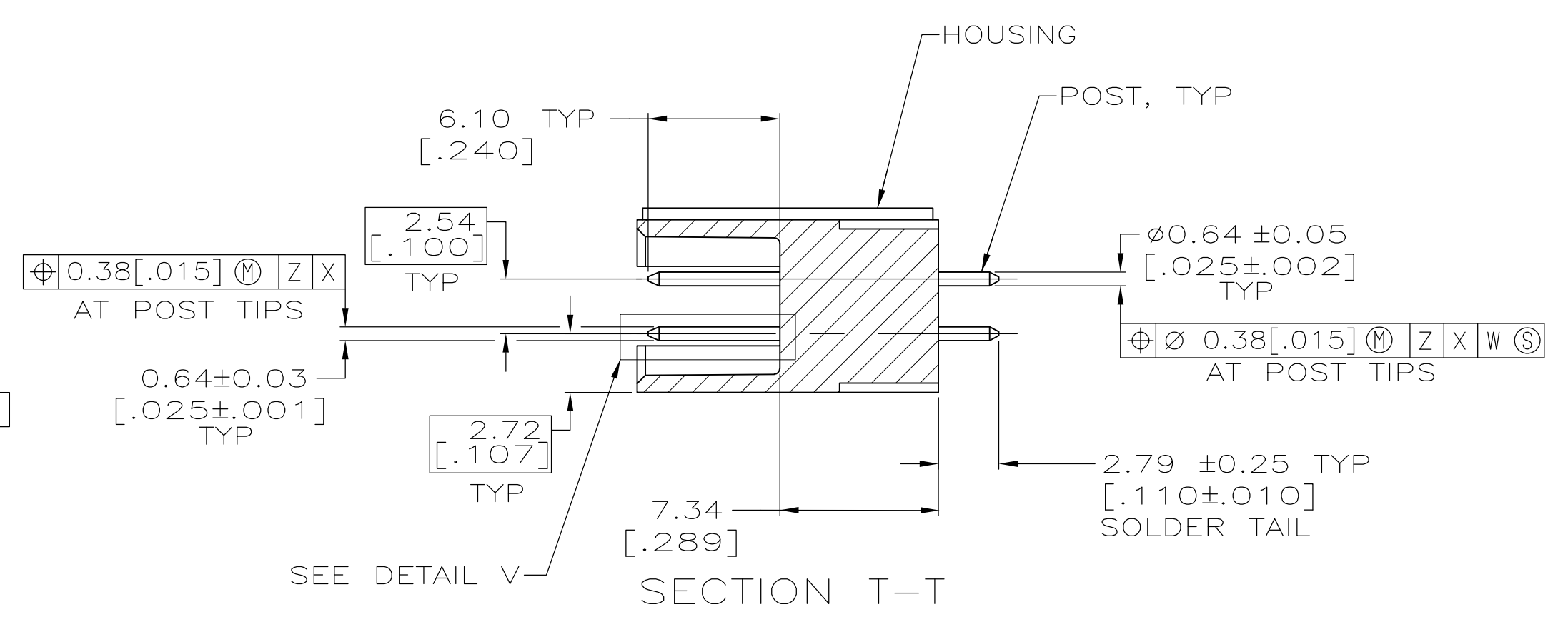
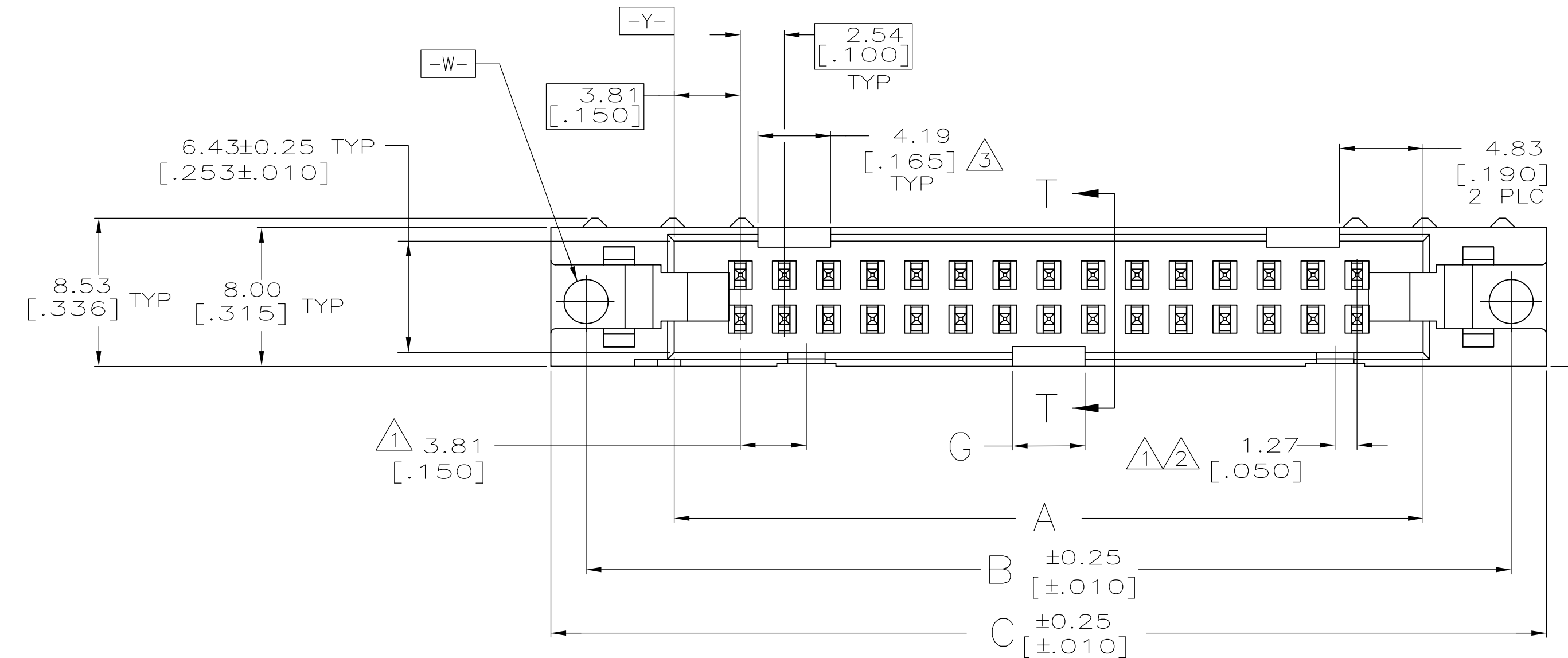


EJECTION LATCHES OMITTED IN THIS VIEW FOR CLARITY




SEE SHEET 2 FOR TABLE & NOTES

THIS DRAWING IS A CONTROLLED DOCUMENT.		DIN L VARELA - 01-07-05	STE TE Connectivity	
DIMENSIONS: mm (INCHES)		CHK S BOLASH 01-07-05	NAME	
TOLERANCES UNLESS OTHERWISE SPECIFIED:		APPD M WALMSLEY 01-07-05	PRODUCT SPEC	
0 PLC ± -	1 PLC ± -	108-40018		
2 PLC ± 0.13[.005]	3 PLC ± -	APPLICATION SPEC		
4 PLC ± -	ANGLES ± -	SIZE	CAGE CODE	DRAWING NO
MATERIAL	FINISH	WEIGHT	A1 00779	5499206
CUSTOMER DRAWING		SCALE	4:1	SHEET 1 OF 2
		REV	E1	

- ① COORDINATE DIMENSION APPLIES FROM BASIC LOCATION.
- ② 6 POSITION SIZE DOES NOT HAVE SLOTS FOR SNAP-IN POLARIZER (MILITARY POLARIZATION). 10 AND 14 POSITION SIZES CONTAIN ONLY ONE SLOT FOR SNAP-IN POLARIZER (MILITARY POLARIZATION) LOCATED AS SHOWN.
- ③ 6 POSITION SIZE DOES NOT HAVE SLOTS FOR DUAL POLARIZATION. 10 POSITION SIZES CONTAIN ONLY ONE SLOT FOR DUAL POLARIZATION, LOCATED AS SHOWN.
- 4. RECOMMENDED PRINTED CIRCUIT BOARD THICKNESS IS 1.57 [.062].
- ⑤ DISTANCE REQUIRED BY EJECTION LATCHES IN THE OPEN POSITION.
- ⑥ HOUSING & LATCHES: GLASS FILLED NYLON OR POLYESTER, UL 94V-0 RATED, SEE TABLE FOR COLOR. POSTS: PHOS BRONZE OR BRASS.
- ⑦ POSTS: GOLD FLASH OVER PALLADIUM-NICKEL PLATE, 0.76 μ m[.000030] MIN TOTAL ON THE LOCALIZED PLATE AREA, 2.54 μ m[.000100] MIN TIN PLATE ON THE SOLDER-TAIL, 1.27 μ m[.000050] MIN NICKEL UNDERPLATE ON THE ENTIRE POST.
-OR-
0.76 μ m[.000030] MIN GOLD PLATE ON THE LOCALIZED PLATE AREA, 2.54 μ m[.000100] MIN TIN PLATE ON THE SOLDER-TAIL, 1.27 μ m[.000050] MIN NICKEL UNDERPLATE ON THE ENTIRE POST.
- ⑧ DATUMS -M- & -N- TO BE ESTABLISHED BY CUSTOMER.
- ⑨ DEVELOPMENT PART NUMBER, REV 1 - NOT RELEASED FOR PRODUCTION.

	BLUE	2.76 [.110]	5.08 [.200]	22.86 [.900]	16.76 [.660]	26.92 [1.060]	22.86 [.900]	12.70 [.500]	6	⑨ 3-5499206-4
	BLUE		53.34 [2.100]	71.12 [2.800]	65.02 [2.560]	75.18 [2.960]	71.12 [2.800]	60.96 [2.400]	44	3-5499206-3
OBSOLETE	BLUE		78.74 [3.100]	96.52 [3.800]	90.42 [3.560]	100.58 [3.960]	96.52 [3.800]	86.36 [3.400]	64	3-5499206-2
	BLUE		73.66 [2.900]	91.44 [3.600]	85.34 [3.360]	95.50 [3.760]	91.44 [3.600]	81.28 [3.200]	60	3-5499206-1
	BLUE		60.96 [2.400]	78.74 [3.100]	72.64 [2.860]	82.80 [3.260]	78.74 [3.100]	68.58 [2.700]	50	3-5499206-0
	BLUE		48.26 [1.900]	66.04 [2.600]	59.94 [2.360]	70.10 [2.760]	66.04 [2.600]	55.88 [2.200]	40	2-5499206-9
	BLUE		40.64 [1.600]	58.42 [2.300]	52.32 [2.060]	62.48 [2.460]	58.42 [2.300]	48.26 [1.900]	34	2-5499206-8
OBSOLETE	BLUE		35.56 [1.400]	53.34 [2.100]	47.24 [1.860]	57.40 [2.260]	53.34 [2.100]	43.18 [1.700]	30	2-5499206-7
	BLUE		30.48 [1.200]	48.26 [1.900]	42.16 [1.660]	52.32 [2.060]	48.26 [1.900]	38.10 [1.500]	26	2-5499206-6
	BLUE		22.86 [.900]	40.64 [1.600]	34.54 [1.360]	44.70 [1.760]	40.64 [1.600]	30.48 [1.200]	20	2-5499206-4
	BLUE		17.78 [.700]	35.56 [1.400]	29.46 [1.160]	39.62 [1.560]	35.56 [1.400]	25.40 [1.000]	16	2-5499206-3
	BLUE		15.24 [.600]	33.02 [1.300]	26.92 [1.060]	37.08 [1.460]	33.02 [1.300]	22.86 [.900]	14	2-5499206-2
	BLUE		10.16 [.400]	27.94 [1.100]	21.84 [.860]	32.00 [1.260]	27.94 [1.100]	17.78 [.700]	10	2-5499206-1
	BLACK		78.74 [3.100]	96.52 [3.800]	90.42 [3.560]	100.58 [3.960]	96.52 [3.800]	86.36 [3.400]	64	1-5499206-2
	BLACK	4.19 [.165]	73.66 [2.900]	91.44 [3.600]	85.34 [3.360]	95.50 [3.760]	91.44 [3.600]	81.28 [3.200]	60	1-5499206-1
	BLACK		60.96 [2.400]	78.74 [3.100]	72.64 [2.860]	82.80 [3.260]	78.74 [3.100]	68.58 [2.700]	50	1-5499206-0
	BLACK		48.26 [1.900]	66.04 [2.600]	59.94 [2.360]	70.10 [2.760]	66.04 [2.600]	55.88 [2.200]	40	5499206-9
	BLACK		40.64 [1.600]	58.42 [2.300]	52.32 [2.060]	62.48 [2.460]	58.42 [2.300]	48.26 [1.900]	34	5499206-8
	BLACK		35.56 [1.400]	53.34 [2.100]	47.24 [1.860]	57.40 [2.260]	53.34 [2.100]	43.18 [1.700]	30	5499206-7
	BLACK		30.48 [1.200]	48.26 [1.900]	42.16 [1.660]	52.32 [2.060]	48.26 [1.900]	38.10 [1.500]	26	5499206-6
	BLACK		27.94 [1.100]	45.72 [1.800]	39.62 [1.560]	49.78 [1.960]	45.72 [1.800]	35.56 [1.400]	24	5499206-5
	BLACK		22.86 [.900]	40.64 [1.600]	34.54 [1.360]	44.70 [1.760]	40.64 [1.600]	30.48 [1.200]	20	5499206-4
	BLACK		17.78 [.700]	35.56 [1.400]	29.46 [1.160]	39.62 [1.560]	35.56 [1.400]	25.40 [1.000]	16	5499206-3
	BLACK		15.24 [.600]	33.02 [1.300]	26.92 [1.060]	37.08 [1.460]	33.02 [1.300]	22.86 [.900]	14	5499206-2
	BLACK		10.16 [.400]	27.94 [1.100]	21.84 [.860]	32.00 [1.260]	27.94 [1.100]	17.78 [.700]	10	5499206-1
	HOUSING AND LATCHES COLOR	G	F	E	D	C	B	A	NO OF POS	PART NUMBER

THIS DRAWING IS A CONTROLLED DOCUMENT.		DIN J. GERACE 15SEP05		 TE Connectivity	
DIMENSIONS: mm [INCHES]		TOLERANCES UNLESS OTHERWISE SPECIFIED:			
0 PLC ± - 1 PLC ± - 2 PLC ± 0.13[.005] 3 PLC ± - 4 PLC ± - ANGLES ± -		APVD S. BOLASH 15SEP05 NAME M. WALMSLEY PRODUCT SPEC 108-40018 APPLICATION SPEC		HEADER ASSY, UNIVERSAL, AMP-LATCH	
MATERIAL SEE SHEET 1		FINISH SEE SHEET 1		SIZE A1 CAGE CODE 00779 DRAWING NO. 5499206 WEIGHT - CUSTOMER DRAWING	
				SCALE - SHEET 2 OF 2 REV E1	